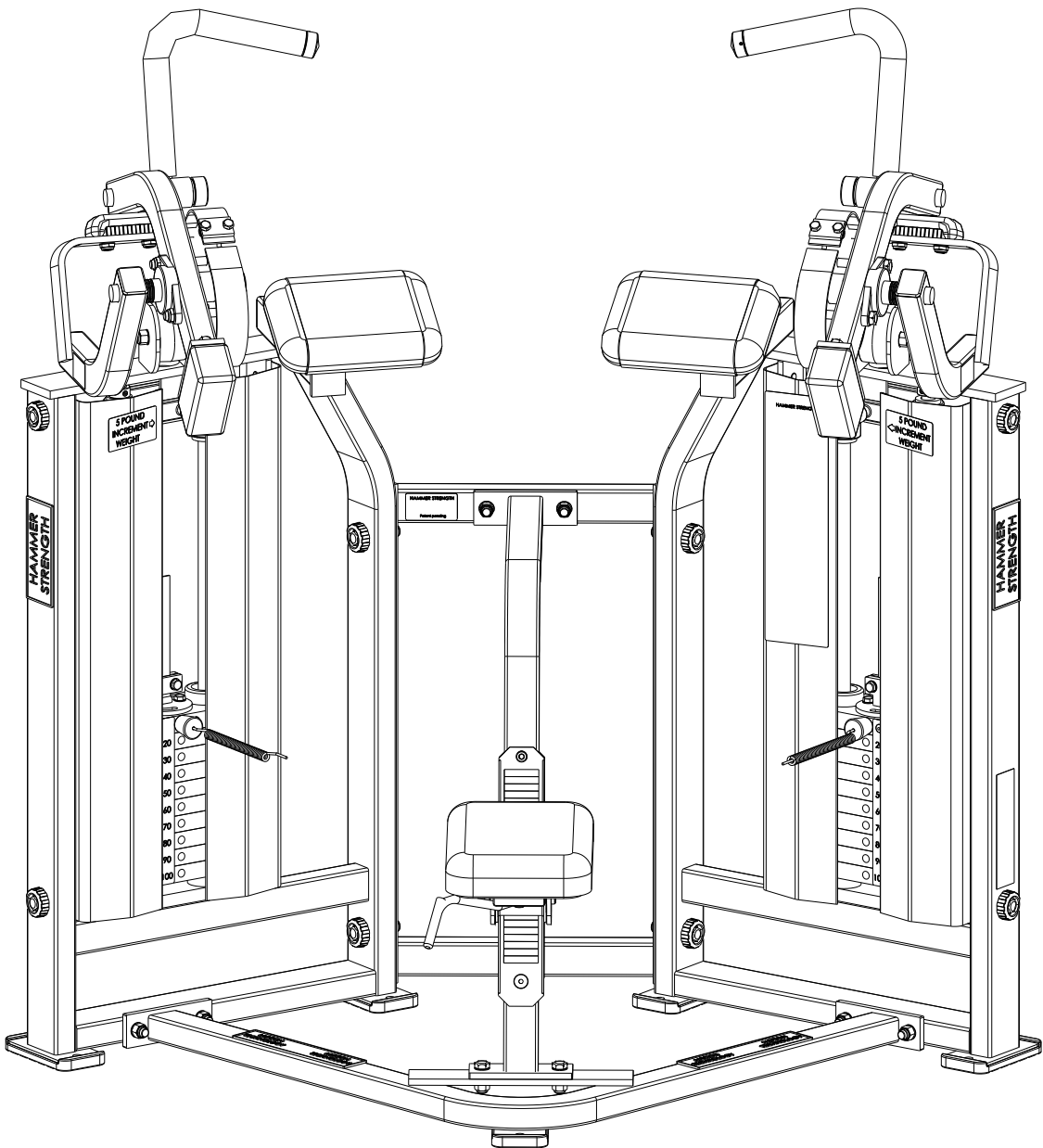




HAMMER STRENGTH
MTSBC
BICEPS CURL



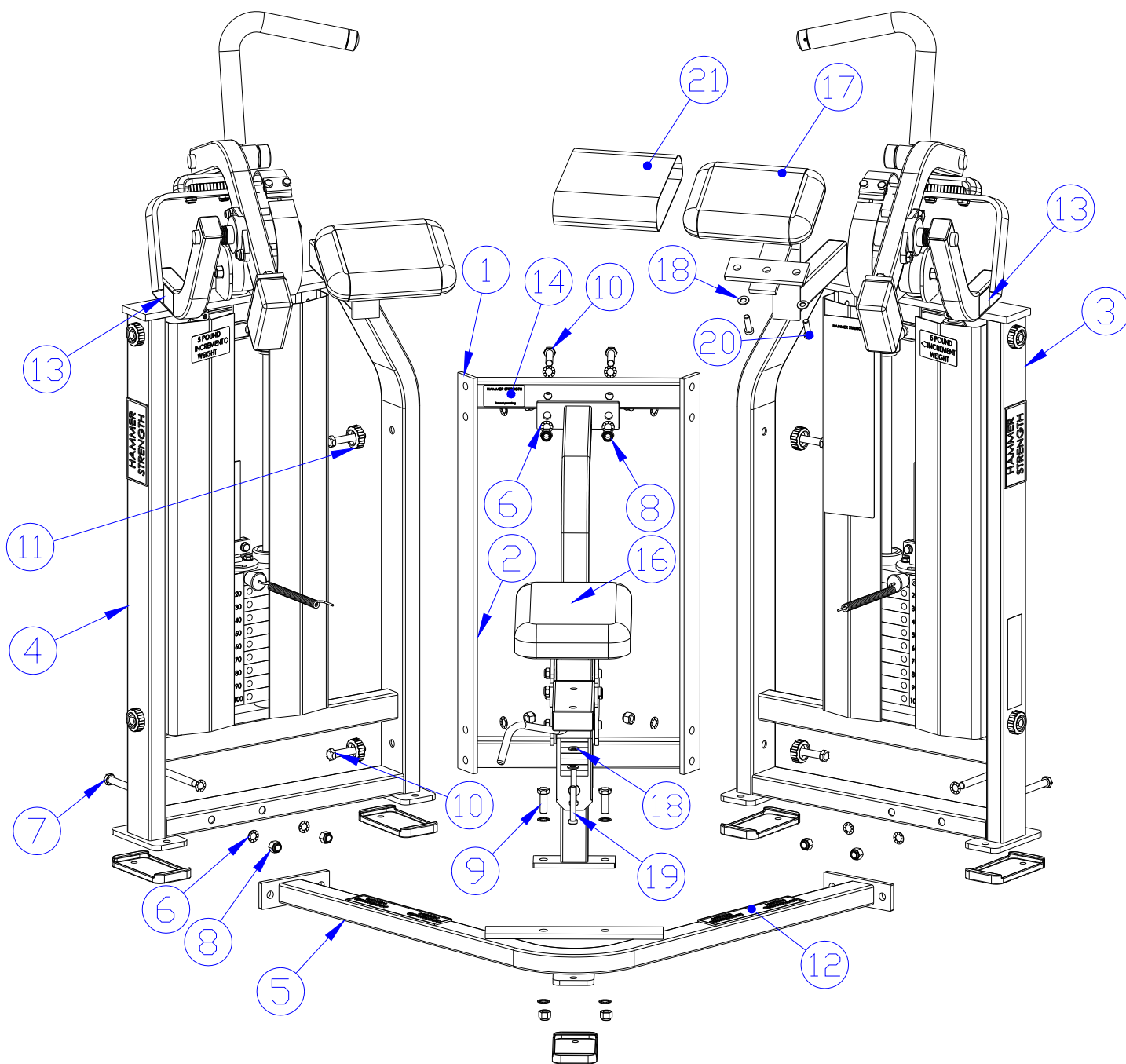
Customer Support Services
PARTS LIST

MTSBC BICEPS CURL

Contents

COMPONANT ASSEMBLY	pg.3
COMPONANT ASSEMBLY LEGEND	4
RIGHT SIDE ASSEMBLY	5
RIGHT SIDE ASSEMBLY LEGEND	6
LEFT SIDE ASSEMBLY	7
LEFT SIDE ASSEMBLY LEGEND	8
SEAT FRAME ASSEMBLY	9
SEAT ASSEMBLY	10
100 LB. WEIGHT STACK ASSEMBLY	11
INCREMENT WEIGHT ASSEMBLY	12
IMAGE	13

MTSBC BICEPS CURL COMPONENT ASSEMBLY

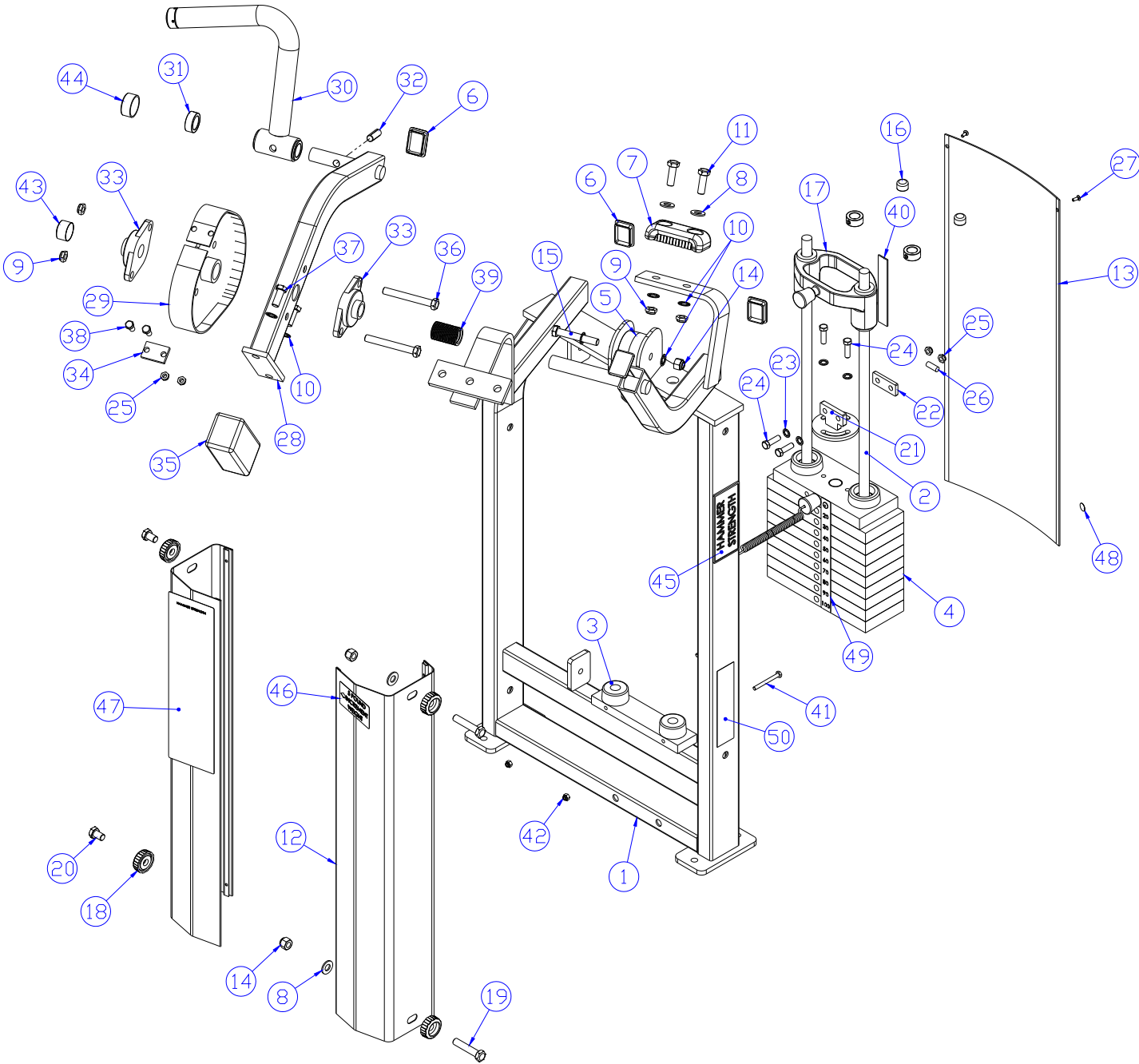


SEE PAGE 4 FOR LEGEND

MTSBC BICEPS CURL COMPONENT ASSEMBLY LEGEND

ITEM NO.	QTY.	PART NO.	DESCRIPTION
1	1	7429901	WLDMT, MTBC, FRONT FRAME
2	1	7436101	ASSY, MTS SEAT FRAME
3	1	7434201	ASSY, MTBC, R SIDE FRAME
4	1	7435801	ASSY, MTBC,L SIDE FRAME
5	1	7433301	WLDMT, MTBC, BASE FRAME
6	20	3239505	WSH, .500 IN-D ST ZN
7	4	3239317	1/2-13 X 4.25 UNS HEX FHB G5 ZN
8	12	3102801	NUT, NYLOCK 1/2-13 ST ZN
9	2	3239306	1/2-13 X 1.50 UNS HEX FHB G5 ZN
10	6	3239311	1/2-13 X 2.75 UNS HEX FHB G5 ZN
11	4	7434001	WASHER, MTS, HAMMER HEAD
12	2	0017-00042-1045	1.875 X 9.25 FRAME GUARD
13	2	7422003	LABEL, MOVING PARTS
14	1	M051-00299-A000	HAMMER PATENT DECAL
15	5	7388201	FOOTPAD, PS RUBBER
16	1	73989XX	PAD, SEAT 13-1/4 X 8-1/4
17	2	77658XX	PAD, 9-1/2 X 6-1/2
18	6	3236601	WASHER, 3/8 SAE SS
19	2	3236210	SCREW, M10 X1.5 65MM
20	4	3236204	SCREW, M10 X1.5 35MM
21	2	77632XX	WEAR COVER, PAD 9-1/2 X 6-1/2 X 1-3/4

MTSBC BICEPS CURL RIGHT SIDE ASSEMBLY - 7434201

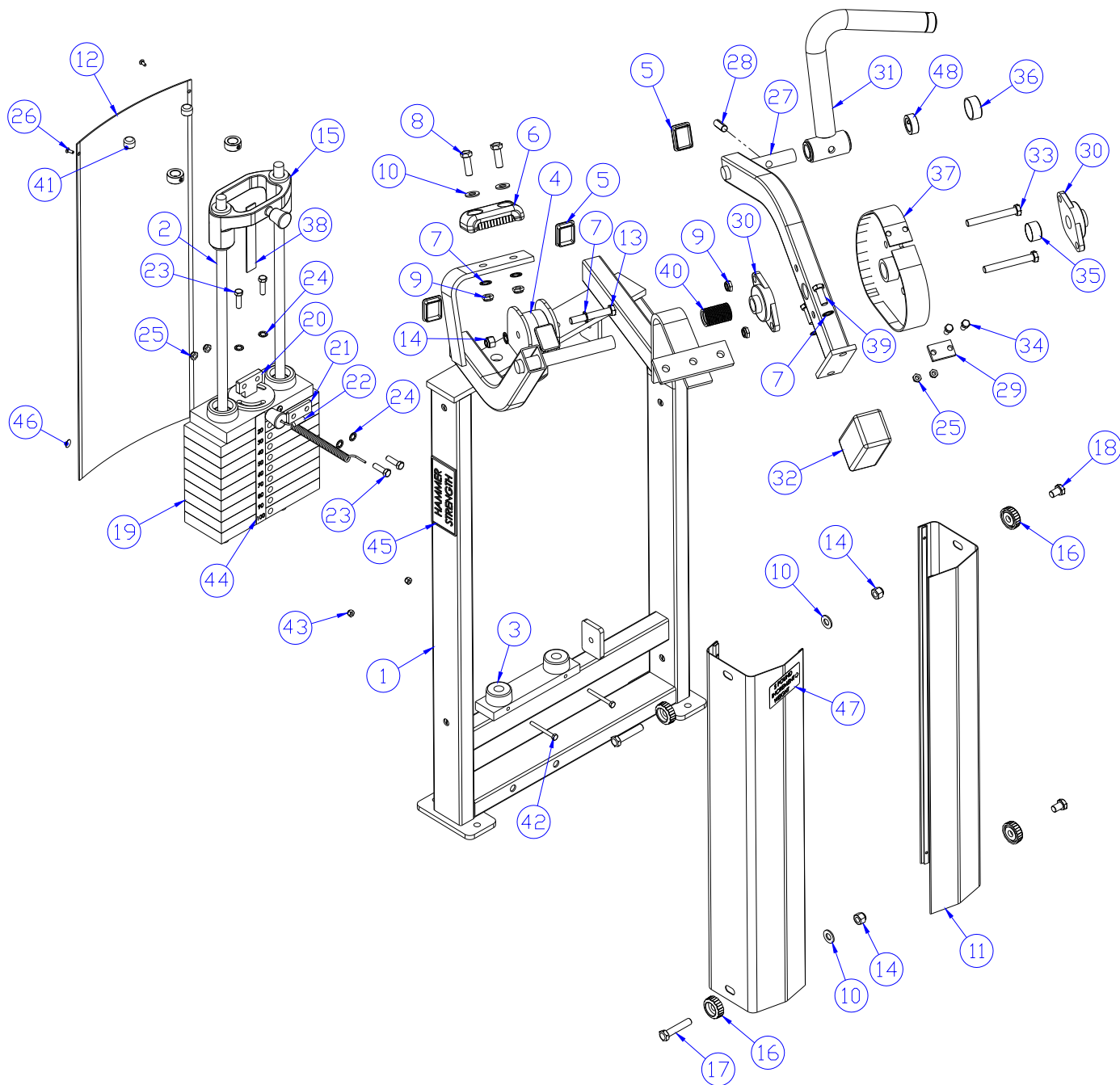


SEE PAGE 6 FOR LEGEND

MTSBC BICEPS CURL RIGHT SIDE ASSEMBLY LEGEND

ITEM NO.	QTY.	PART NO.	DESCRIPTION
1	1	7430401	WLDMT, MTBC, R SIDE FRAME
2	2	7328608	GUIDE ROD, .75 OD SOLID
3	2	7352101	CUSHION, WEIGHT STACK
4	1	7430001	ASSY, MTS, 100 LB STACK
5	1	7594601	PULLEY, MTS, 3" BELT
6	4	7352201	CAP, END 1-1/2 X 2
7	1	7352001	BUMPER, 2-1/8 X 4-5/8
8	4	3102507	WASHER, TYPE A PLAIN
9	4	3102804	NUT, NYLOCK-JAM 1/2-13 ST ZN
10	6	3239505	WSH, .500 IN-D ST ZN
11	2	3239306	1/2-13 X 1.50 UNS HEX FHB G5 ZN
12	2	7465101	SHROUD, MTS, SIDE 31.25" SGRY
13	1	7435601	PANEL, MTS, PLASTIC 31.25"
14	3	3102801	NUT, NYLOCK 1/2-13 ST ZN
15	1	3239313	1/2-13 X 3.25 UNS HEX FHB G5 ZN
16	2	3242701	CAP, END, .75 X .50. RD, BLACK
17	1	7459901	ASSY, MTS, INCREMENT WEIGHT
18	4	7434001	WASHER, MTS, HAMMER HEAD
19	2	3239310	1/2-13 X2.50 UNS HEX FHB G5 ZN
20	2	3239303	1/2-13 X .75 UNS HEX FHB G5 ZN
21	1	7434895	WLDMT, MTS, BELT ATTACH
22	1	7435295	PLATE, MTS, BELT CLAMP
23	4	3239503	WSH, .375 IN-D ST ZN
24	4	3223302	3/8-16 X 1.25 HEX HEAD BOLT
25	4	3102807	NUT, NYLOCK 3/8-16 LOW HT
26	1	7435101	SHAFT, 3/8" DIA SS, BELT WRAP
27	2	0017-00101-1587	SHIELD RIVET
28	1	7431901	WLDMT, MTBC, R MOVE ARM
29	1	7433201	WLDMT, MTBC, CAM RIGHT
30	1	7435901	Right Handlebar Assem
31	1	7435301	COLLAR, SHAFT 1.020 ID
32	1	3251901	PIN, GROOVE 1/2 DIA X 1-1/2
33	2	3239901	BEARING, 2 HOLE FLANGE, 1" ID
34	1	7436695	PLATE, MTS, BELT CAM ATTACH
35	1	7802101	COUNTER WEIGHT, MTS
36	2	3239316	1/2-13 X 4.00 UNS HEX FHB G5 ZN
37	2	3239305	1/2-13 X 1.25 UNS HEX FHB G5 ZN
38	2	3239803	3/8-16 X 16 HEX HEAD BOLT
39	1	6912804	SLEEVE, ACCRDN 1.0 ID X 2
40	1	7435701	BELT, SPOOLED, W15/16, T.09
41	2	3223809	1/4-20 UNS HEX FHB G5 ZN
42	2	3102806	NUT, NYLOCK 1/4-20 ZN
43	1	3242501	CAP, END, 1.187" X .750" RD, RED VINYL
44	1	3242601	CAP, END, 1.375 X .750 RD, BLACK VINYL
45	1	M051-00289-A000	HAMMER STRENGTH NAME PLATE
46	1	M051-00298-A000	5 LB. INCREMENT WT. DECAL (LEFT)
	OR		
	1	M051-00303-A000	2.5 KG. INCREMENT WT. DECAL (LEFT)
47	1	M051-00444-A000	MTS BICEP CURL
48	2	7564101	LABEL, MTS, .625 DIA HOLE COVER
49	1	M051-00443-A000	WEIGHT STACK NUMBER STRIP; 100 LBS.
	OR		
	1	M051-00496-A000	80 KG MTS WEIGHT STACK STICKER
50	1	7422004	LABEL, 2" ASTM WARN

MTSBC BICEPS CURL LEFT SIDE ASSEMBLY - 7435801

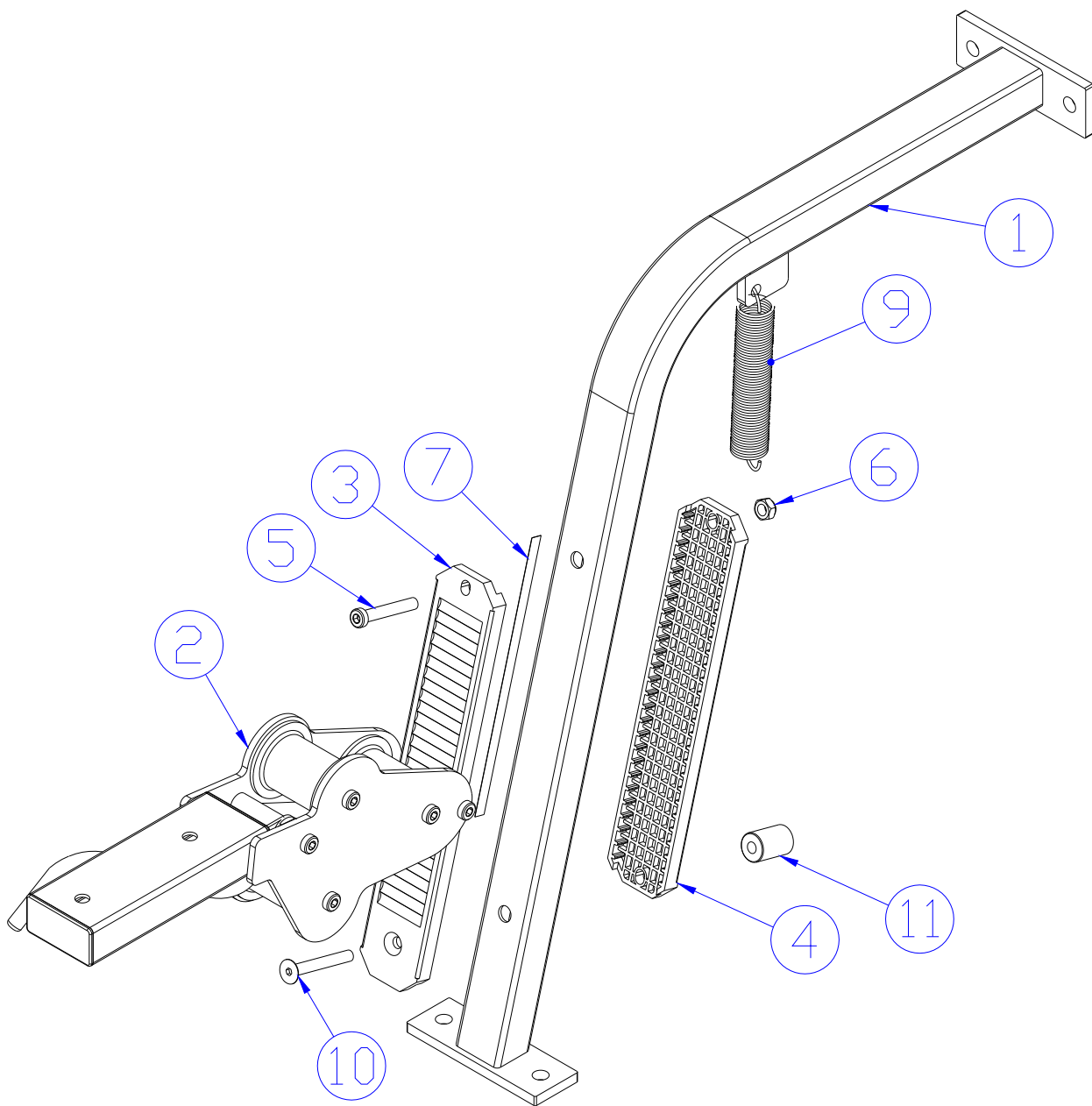


SEE PAGE 8 FOR LEGEND

MTSBC BICEPS CURL LEFT SIDE ASSEMBLY LEGEND

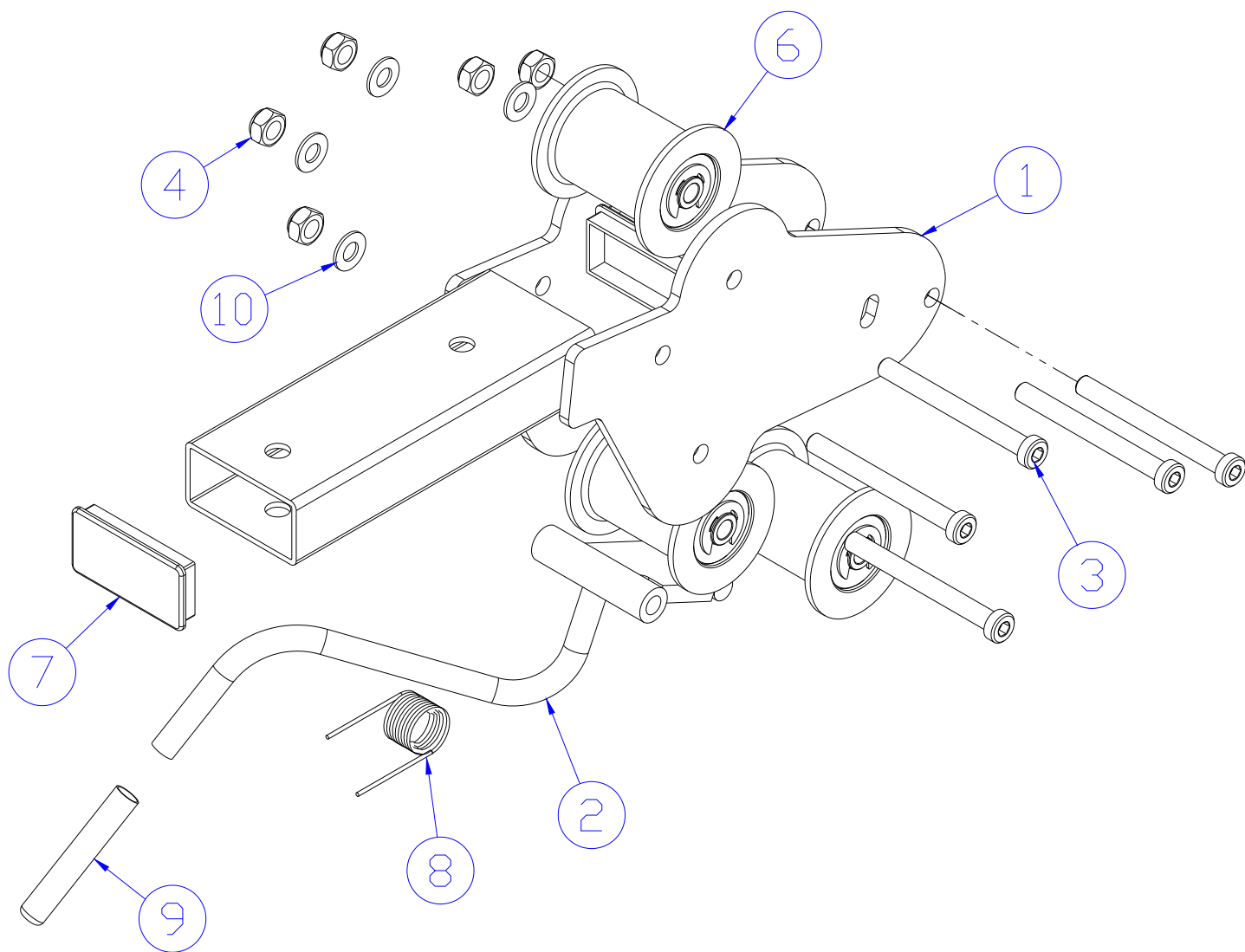
ITEM NO.	QTY.	PART NO.	DESCRIPTION
1	1	7431801	WLDMT, MTBC, L SIDE FRAME
2	2	7328608	GUIDE ROD, .75 OD SOLID
3	2	7352101	CUSHION, WEIGHT STACK
4	1	7594601	PULLEY, MTS, 3" BELT
5	4	7352201	CAP, END 1-1/2 X 2
6	1	7352001	BUMPER, 2-1/8 X 4-5/8
7	6	3239505	WSH, .500 IN-D ST ZN
8	2	3239306	1/2-13 X 1.50 UNS HEX FHB G5 ZN
9	4	3102804	NUT, NYLOCK-JAM 1/2-13 ST ZN
10	4	3102507	WASHER, TYPE A PLAIN
11	2	7465101	SHROUD, MTS, SIDE 31.25" SGRY
12	1	7435601	PANEL, MTS, PLASTIC 31.25"
13	1	3239313	1/2-13 X 3.25 UNS HEX FHB G5 ZN
14	3	3102801	NUT, NYLOCK 1/2-13 ST ZN
15	1	7459901	ASSY, MTS, INCREMENT WEIGHT
16	4	7434001	WASHER, MTS, HAMMER HEAD
17	2	3239310	1/2-13 X2.50 UNS HEX FHB G5 ZN
18	2	3239303	1/2-13 X .75 UNS HEX FHB G5 ZN
19	1	7430001	ASSY, MTS, 100 LB STACK
20	1	7436595	WLDMT, MTS, BELT ATTACH LH
21	1	7435295	PLATE, MTS, BELT CLAMP
22	1	7435101	SHAFT, 3/8" DIA SS, BELT WRAP
23	4	3223302	3/8-16 X 1.25 HEX HEAD BOLT
24	4	3239503	WSH, .375 IN-D ST ZN
25	4	3102807	NUT, NYLOCK 3/8-16 LOW HT
26	2	0017-00101-1587	SHIELD RIVET
27	1	7432601	WLDMT, MTBC, L MOVE ARM
28	1	3251901	PIN, GROOVE 1/2 DIA X 1-1/2
29	1	7436695	PLATE, MTS, BELT CAM ATTACH
30	2	3239901	BEARING, 2 HOLE FLANGE, 1" ID
31	1	7436001	Left Handlebar Assembly
32	1	7802101	COUNTER WEIGHT, MTS
33	2	3239316	1/2-13 X 4.00 UNS HEX FHB G5 ZN
34	2	3239803	3/8-16 X 16 HEX HEAD BOLT
35	1	3242501	CAP, END, 1.187" X .750" RD, RED VINYL
36	1	3242601	CAP, END, 1.375 X .750 RD, BLACK VINYL
37	1	7432801	WLDMT, MTBC, CAM LEFT
38	1	7435701	BELT, SPOOLED, W15/16, T.09
39	2	3239305	1/2-13 X 1.25 UNS HEX FHB G5 ZN
40	1	6912804	SLEEVE, ACCRDN 1.0 ID X 2
41	2	3242701	CAP, END, .75 X .50. RD, BLACK
42	2	3223809	1/4-20 UNS HEX FHB G5 ZN
43	2	3102806	NUT, NYLOCK 1/4-20 ZN
44	1	M051-00443-A000	WEIGHT STACK NUMBER STRIP; 100 LB.
	OR		
	1	M051-00496-A000	WEIGHT STACK NUMBER STRIP; 80 KG.
45	1	M051-00289-A000	HAMMER STRENGTH NAME PLATE
46	2	7564101	LABEL, MTS, .625 DIA HOLE COVER
47	1	M051-00297-A000	5 LB. INCREMENT WT. DECAL (RIGHT)
	OR		
		M051-00305-A000	2.5 KG. INCREMENT WT. DECAL (RIGHT)
48	1	7435301	COLLAR, SHAFT 1.020 ID

MTSBC BICEPS CURL SEAT FRAME ASSEMBLY - 7436101



ITEM NO.	QTY.	PART NO.	DESCRIPTION
1	1	7433701	WLDMT, MTBC, SEAT FRAME
2	1	7436401	ASSY, MTS, 97 SEAT
3	1	7564301	SEATRACK, ROLLER SERRATED
4	1	7564401	SEATRACK, FLAT
5	1	3236210	SCREW, M10 X1.5 65MM
6	1	3236801	NUT, M10 HEX NYLOCK SS
7	1	7422002	LABEL, SEAT ADJUST
8	1	7422001	LABEL, SEAT INST
9	1	7442601	SPRING, PRO2 ROLLER SEAT
10	1	3238312	M10x1.5x75mm
11	1	7570601	STOP, ROLLER SEAT

MTSBC BICEPS CURL 97 DEGREE SEAT ASSEMBLY - 7436401

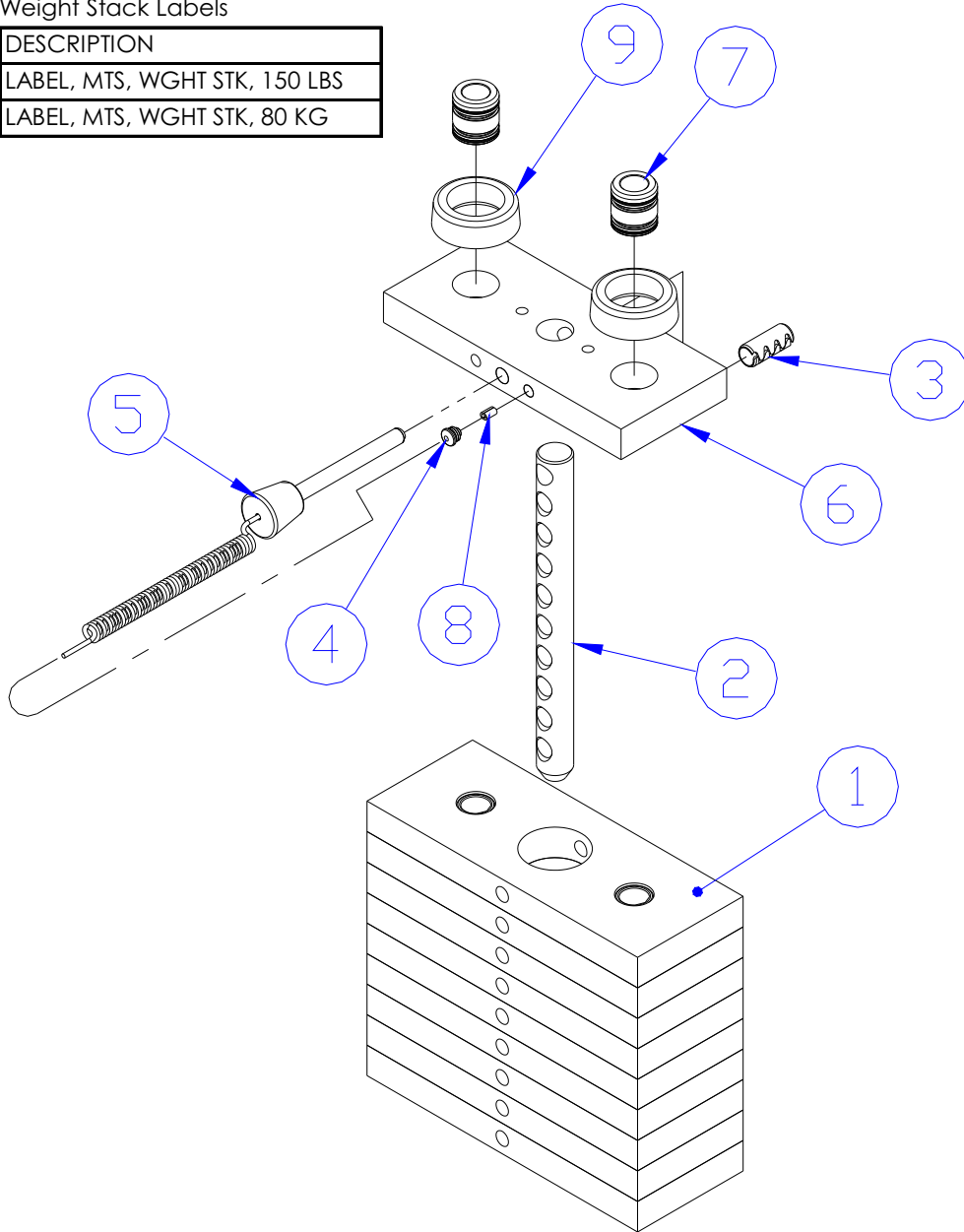


ITEM NO.	QTY.	PART NO.	DESCRIPTION
1	1	7436201	WLDMT, MTS, 97 SEAT
2	1	7480995	WLDMT, MTS, HANDLE 97 SEAT
3	5	3236217	SCREW, M10 X1.5 100MM
4	5	3236801	NUT, M10 HEX NYLOCK SS
5	5	3236601	WASHER, 3/8 SAE SS
6	3	7564201	ASSY, SEAT ROLLER
7	2	7477401	CAP. END, 1-1/2 X 3, 11GA SGRY
8	1	7442701	SPRNG, PRO2 HANDLE TORSION
9	1	3238502	CAP, 1/2 X 3
10	4	3236601	WASHER;3/8 SAE STAINLESS STEEL

MTSBC BICEPS CURL 100 LB. WEIGHT STACK ASSEMBLY - 7430001

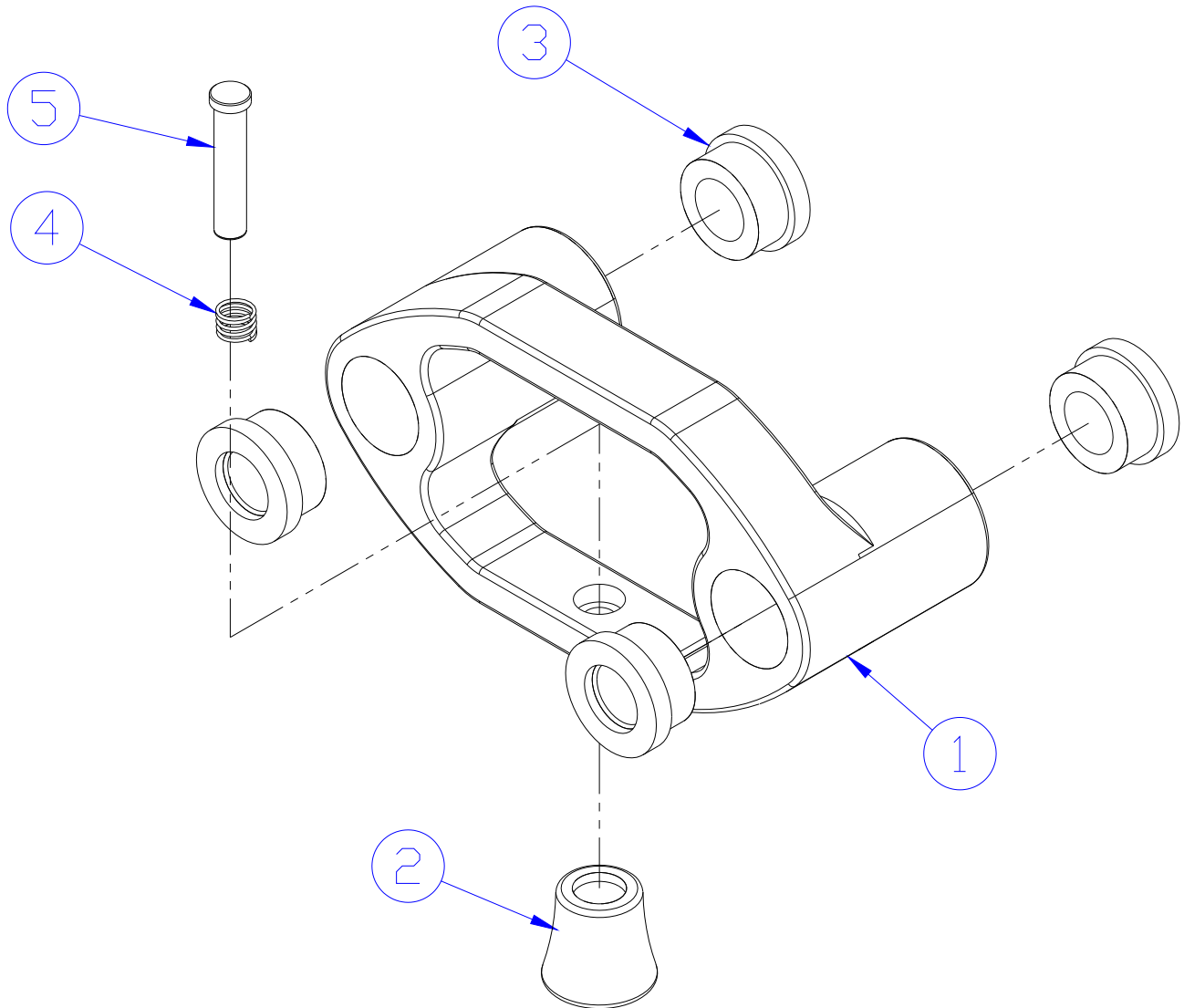
Weight Stack Labels

PART NO.	DESCRIPTION
8072201	LABEL, MTS, WGHT STK, 150 LBS
8072101	LABEL, MTS, WGHT STK, 80 KG



ITEM NO.	QTY.	PART NO.	DESCRIPTION
1	9	7353701	ASSY, 10 LB PLATE
2	1	7434301	BAYONET, MTS, 10 HOLE
3	1	3236001	BUSHING, SPRING PIN
4	1	7356501	PLUG, LANYARD ATTACHMENT
5	1	7353001	ASSY, SELECTOR PIN
6	1	7434401	HEAD PLATE, MTS
7	2	7338001	BUSHING, HEADPLATE
8	1	7523601	CRIMP, CABLE
9	2	7767601	BUMPER, PS INCREMENT WT

MTSBC BICEPS CURL INCREMENT WEIGHT ASSEMBLY - 7459901



ITEM NO.	QTY.	PART NO.	DESCRIPTION
1	1	7459801	BLOCK, MTS, INCREMENT WEIGHT
2	1	7351401	KNOB, TULIP STYLE
3	4	7560001	BUSHING, MTS, INC WEIGHT
4	1	7447001	SPRING, COMPRESSION
5	1	7446901	PIN, RETAINING

MTSBC BICEPS CURL IMAGE

